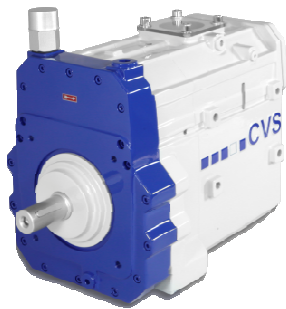




SKL LS

Screw compressor, low speed version.

CVS develops and manufactures compressors specifically designed for installation in trucks. The development is made in close collaboration with our customers. This guarantees the optimum product for your application.



The oil free screw compressor

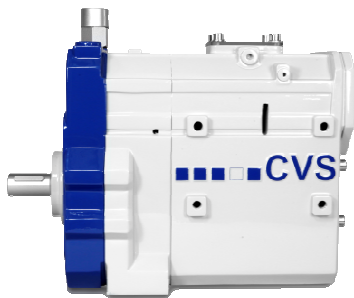
The oil free screw compressor SKL was developed specifically for the bulk tanker industry.

Features

- » High standard of build quality.
- » Unique and robust design guarantee long lasting performance and high operating hours.
- » Compact and light-weight design for increased payloads.

Screw compressors with system

The volume flow rate of the SKL LS ranges from 385 up to 1050 m³/h at input drive speeds of 1500 (SKL 1100) resp. 1800 (SKL 700) up to 2700 rpm. The newly developed design of screw ensures increased efficiency and low discharge air temperatures with low noise operation.

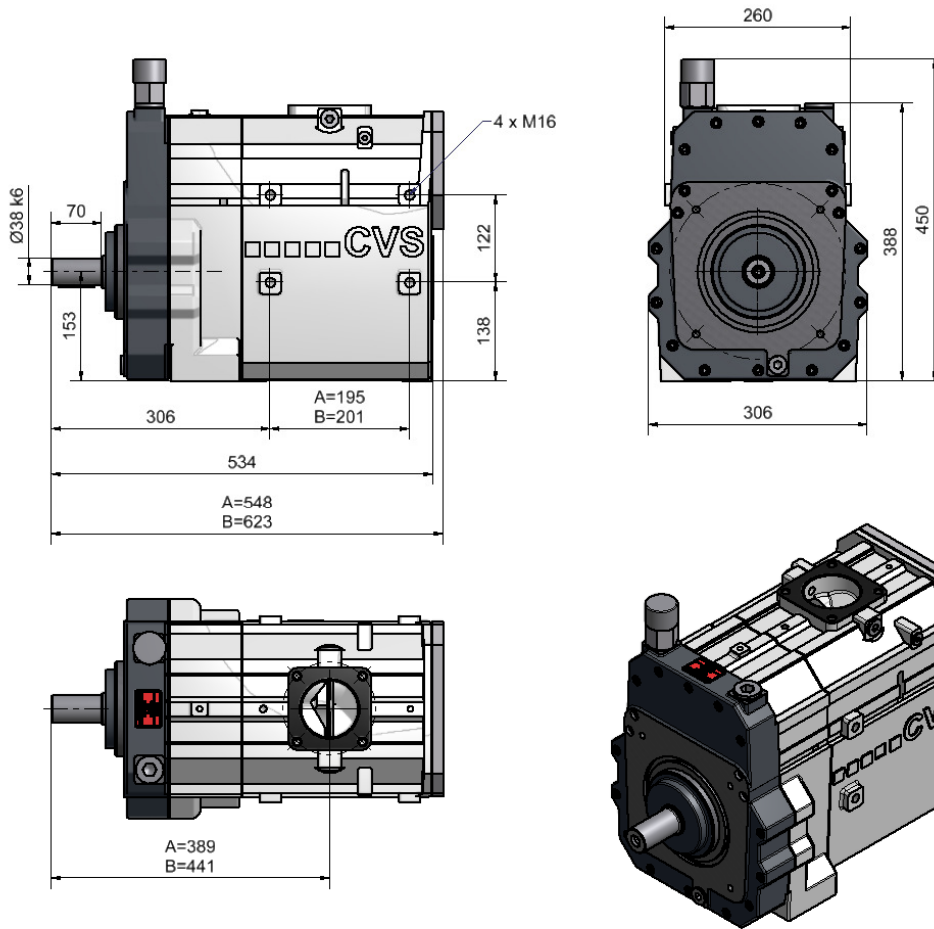


Advantages

- » Reduced input drive speed.
- » High quality robust design guarantees long lasting performance and longer operating life.
- » Low weight.
- » Extensive speed range allows greater flexibility and maximum performance.
- » 2.5 bar operating pressure over full speed range.
- » Compact design for ease of installation.
- » Integrated lubricating oil pump and easy-to-change oil filter.



Dimensions



A = SiloKing 700 LS
B = SiloKing 1100 LS

A = SKL 700 LS
B = SKL 1100 LS

Technical data

		SKL 700 LS			SKL 1100 LS		
		1950	2440	2930	1630	2440	2930
Speed	rpm	1950	2440	2930	1630	2440	2930
Volume flow at free air	m ³ /h	420	540	650	550	850	1050
Volume flow at 2 bar g	m ³ /h	385	485	600	490	775	980
Max. pressure	bar	2.5	2.5	2.5	2.5	2.5	2.5
Speed range	1/min	1950 – 2930			1630 – 2930		
Power requirement at 2 bar	kW	22.5	28.0	33.5	29.0	43.5	52.5
Weight	kg	126			135		

Technical information subject to change