



NEW - SKL 1500

Screw compressor

CVS develops and manufactures compressors specifically designed for installation in trucks. The development is made in close collaboration with our customers. This guarantees the optimum product for your application.

The oil free screw compressor

The oil free screw compressor SKL 1500 was developed specifically for the bulk tanker industry.

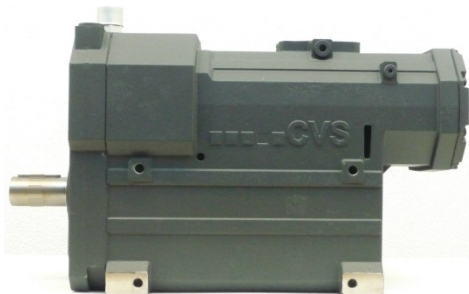


Features

- » High standard of build quality.
- » Unique and robust design guarantee long lasting performance and high operating hours.
- » Compact and light-weight design for increased payloads.

Screw compressors with system

The volume flow rate of the SKL 1500 ranges from 770 up to 1640 m³/h at input drive speeds of 1000 up to 2000 rpm. The newly developed design of screw ensures increased efficiency and low discharge air temperatures with low noise operation.

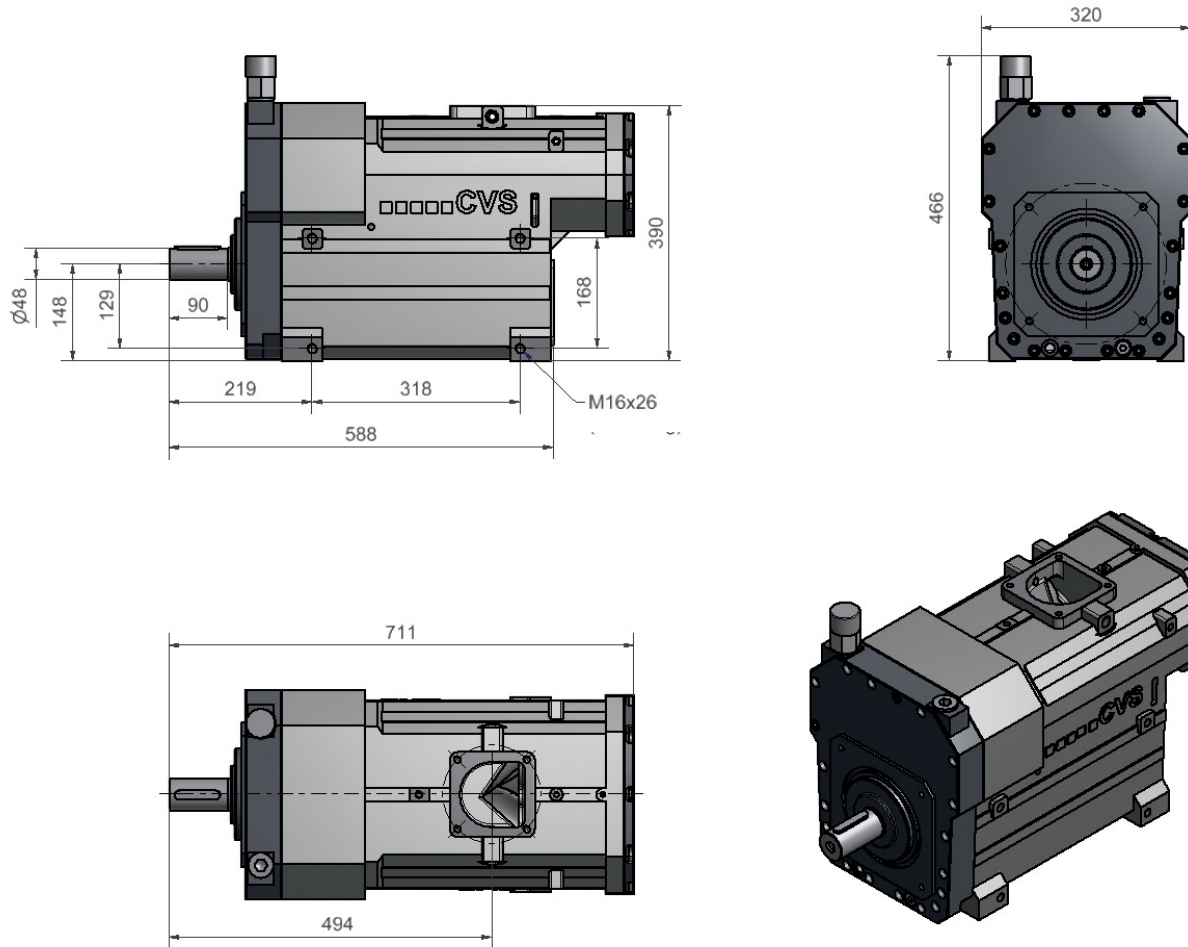


Advantages

- » High volume flow while maintaining a high pressure possible.
- » High quality robust design guarantees long lasting performance and longer operating life.
- » Low weight.
- » Extensive speed range allows greater flexibility and maximum performance.
- » 2.5 bar operating pressure over full speed range.
- » Compact design for ease of installation.
- » Integrated lubricating oil pump and easy-to-change oil filter.



Dimensions



Technical data

		SKL 1500			
Speed	rpm	1000	1400	1600	2000
Volume flow at free air	m ³ /h	770	1139	1301	1640
Volume flow at 2 bar g	m ³ /h	690	1063	1217	1560
Max. pressure	bar	2.5	2.5	2.5	2.5
Speed range	1/min	1000 – 2000			
Power requirement at 2 bar	kW	41.0	57.5	66.0	85.0
Weight	kg	185			

Technical information subject to change